

REHAU 70S & 70C



BAY WINDOW ORDER FORM

Customer: _____ Tel: _____
 Address: _____
 Date Required: _____ Ref: _____



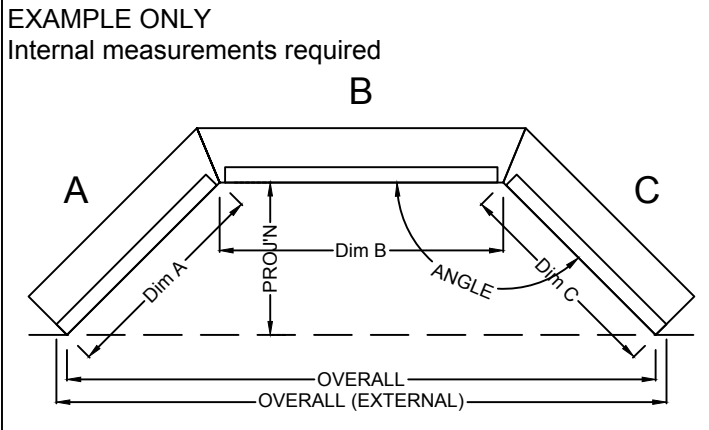
70S: White Golden Oak Rosewood G/Oak on White R/Wood on White White W/Grain Cream W/Grain Black W/Grain on White Anthracite W/Grain on White
 70C: White Golden Oak Rosewood Mahogany G/Oak on White R/Wood on White Mahogany on White Smooth Anthracite on White Bead: Ovolo Flat

Glazed Unglazed Glass Specification: A Rated B Rated C Rated

CASEMENT OUTER 52mm 62mm 72mm
 70S SCULPTURED 70C CHAMFERED
 OVERALL WIDTH  EXTERNAL
 TRANSOM DROP 
 CILL TYPE 95 150 180 225 NO CILL
 TRICKLE VENT 2K 4K IN SASH IN 72mm HEAD
 ADD-ON TO WIDTH 15mm 45mm LEFT RIGHT
 ADD-ON TO HEIGHT 15mm 45mm TOP BOTTOM
 HANDLE COLOUR WHT BLK GLD CHR S/SLV
 CASEMENT HINGE FIRE EGRESS STAY GUARDS
 WINDOW LOCK ESPAG SHOOTBOLT C/LOCKING
 BAY JACKING KIT YES NO *NOT AVAILABLE REHAU 135°

	FRAME A	FRAME B	FRAME C	FRAME D	FRAME E
WIDTH					
HEIGHT					
SKETCH WINDOW					
	FRAME F	FRAME G	FRAME H	FRAME I	FRAME J
WIDTH					
HEIGHT					

ALL UNITS VIEWED EXTERNALLY
 CILLS AND ADD-ONS INCLUDED IN DIMENSIONS
 ALL PRODUCTS ARE INTERNALLY GLAZED UNLESS OTHERWISE STATED



BAYPOLES
 REHAU
 90° SQR
 135° FIX*
 102-180°
 W/WIDGETS
 90° SQR
 135° FIX
 170° FIX
 120-170°
 WELDED CILL ONLY

CILL LAYOUT (Internal measurements only)

PROJECTION A:
 PROJECTION B:
 PROJECTION C:
 PROJECTION D:
 ANGLE A:
 ANGLE B:
 ANGLE C:
 ANGLE D:
 ANGLE E:
 ANGLE F:
 ANGLE G:
 ANGLE H:
 ANGLE I:

SIGNED: _____

ADDITIONAL NOTES: _____

