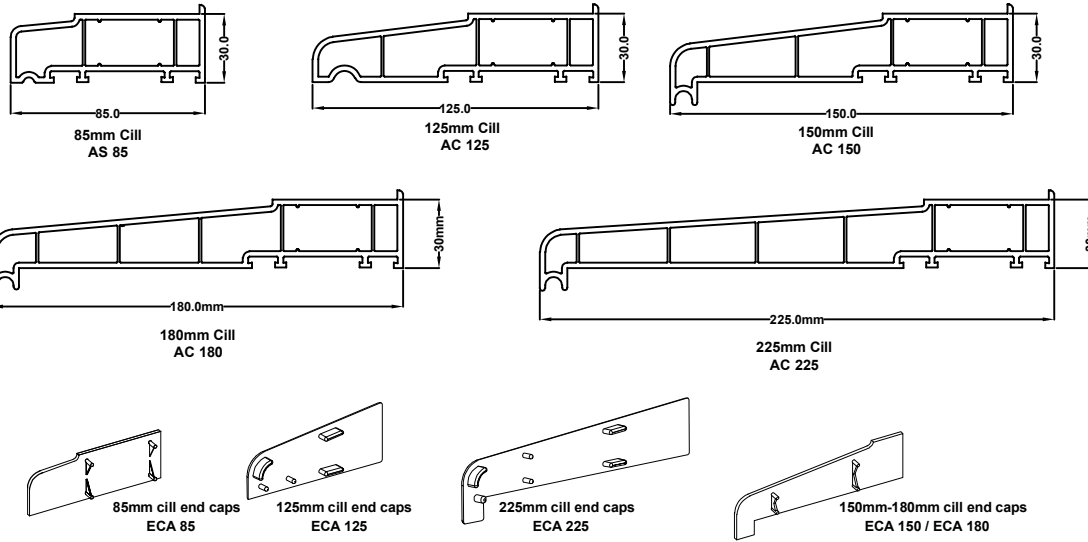
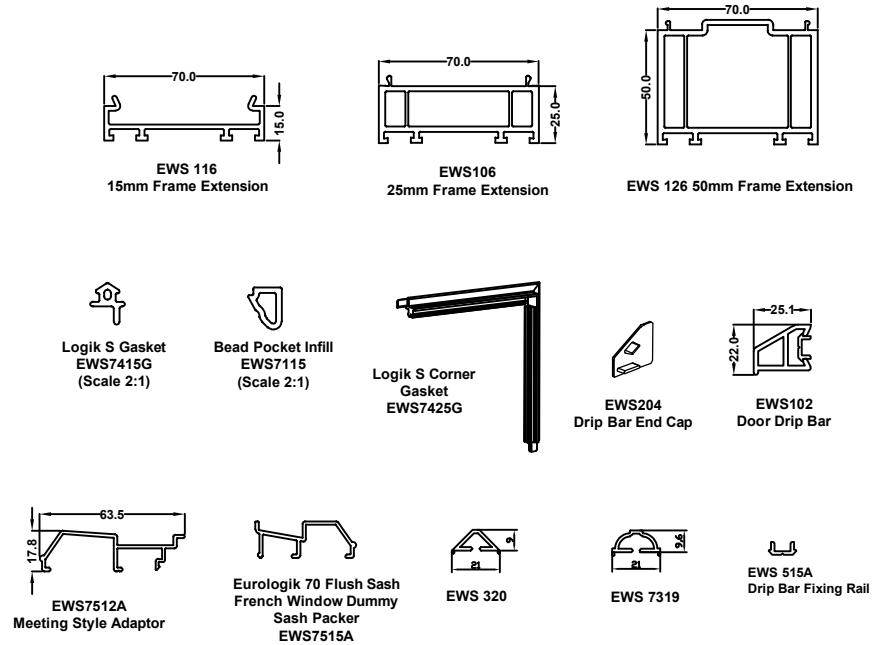


Cills



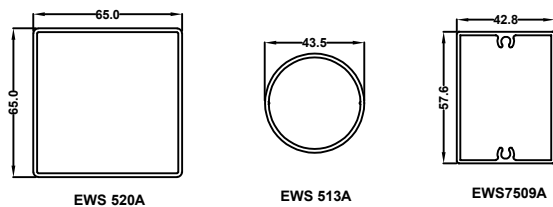
Ancillaries



PVC Thermal Inserts



Aluminium Components



Steel Components

